



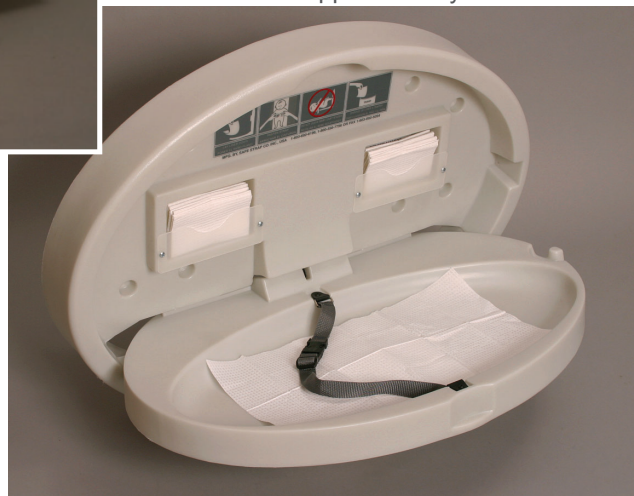
# Diaper-Depot® Bedliners

## Diaper Changing Stations

To ensure your changing stations are always well prepared for your customers, order plenty of bed liners. Bed Liners are designed for sanitary purposes. With the plastic backed paper liners, you can ensure your customer has a clean, dry place to change their baby.



The Diaper-Depot® provides a clean, protective compartment to store extra liners. Each unit holds approximately 50 liners. ▼



## FEATURES

- 1 Liners come in 500 and 1000 count cases.
- 2 Plastic coat on one side.

The world of retail can be a complicated place.  
At Safe-Strap™ we are committed to simplifying it.

[SAFESTRAP.COM](http://SAFESTRAP.COM)

Corporate Office  
Safe-Strap Company, LLC.  
13830 Jetport Commerce Parkway  
Suite 2  
Fort Myers, FL 33913

Toll Free: 1.800.356.7796  
Phone: 973.442.4623  
Fax: 973.442.8195

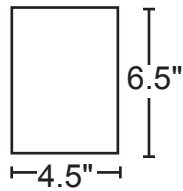
©Copyright 2016 Safe-Strap Company, LLC. All rights reserved.



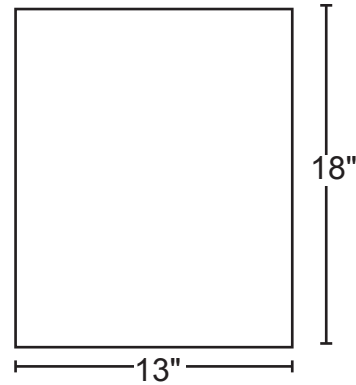
# DIAPER-DEPOT®

## Bed Liner for Horizontal, Vertical and Basic Diaper-Depot Models

### 3 Fold



Folded Bed Liner



Open Bed Liner

#### Specification:

The dimensions of an open bed liner is 18" x 13".

One side is absorbent, similar to a paper towel. The other sided is coated to prevent leaks.

2-ply paper/1-ply poly, Matte Finish.

The folded Bed Liner is 6.5" x 4.5".

Bed liners are available in quantities of:

- 500 Item# 4330-500
- 1000 Item# 4330

This Bed Liner is best used with the Horizontal, Vertical and Basic models of the Diaper-Depot

The illustrations and descriptions herein are applicable to production as of the date of this Cut Sheet.

The manufacturer reserves the right to, and does from time to time, make changes and improvements in designs and dimensions.

The world of retail can be a complicated place.  
At Safe-Strap™ we are committed to simplifying it.

**SAFESTRAP.COM**

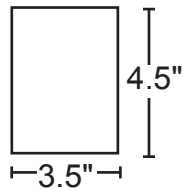
Corporate Office  
SAFE-STRAP COMPANY, LLC.  
105 West Dewey Avenue, Building D Suite 410  
Wharton, NJ 07885

Toll Free: 1.800.356.7796  
Phone: 973.442.4623  
Fax: 973.442.8195

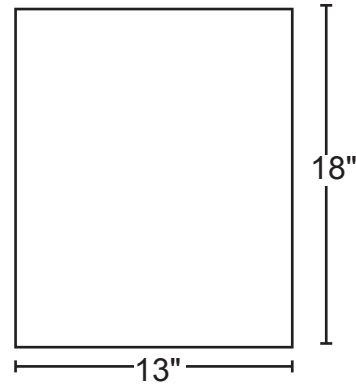


# DIAPER-DEPOT®

## Bed Liner for Oval Diaper-Deport Models 4-Fold



Folded Bed Liner



Open Bed Liner

### Specification:

The dimensions of an open bed liner is 18" x 13".

One side is absorbent, similar to a paper towel. The other sided is coated to prevent leaks.

2-ply paper/1-ply poly, Matte Finish.

The folded Bed Liner is 4.5" x 3.5".

Bed liners are available in quantities of:

- 500 Item# 4309-500
- 1000 Item# 4305

This Bed Liner is best used with the Oval models of the Diaper-Depot

The illustrations and descriptions herein are applicable to production as of the date of this Cut Sheet.

The manufacturer reserves the right to, and does from time to time, make changes and improvements in designs and dimensions.

The world of retail can be a complicated place.  
At Safe-Strap™ we are committed to simplifying it.

**SAFESTRAP.COM**

Corporate Office  
SAFE-STRAP COMPANY, LLC.  
105 West Dewey Avenue, Building D Suite 410  
Wharton, NJ 07885

Toll Free: 1.800.356.7796  
Phone: 973.442.4623  
Fax: 973.442.8195